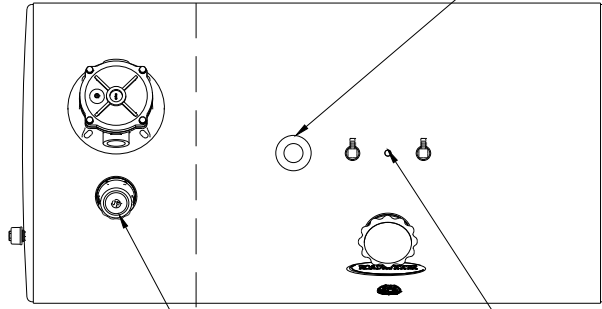


| ISSUE | DETAILS | DATE |
|-------|--------------------------------|------|
| A | TO BE APPROVED FOR MANUFACTURE | |

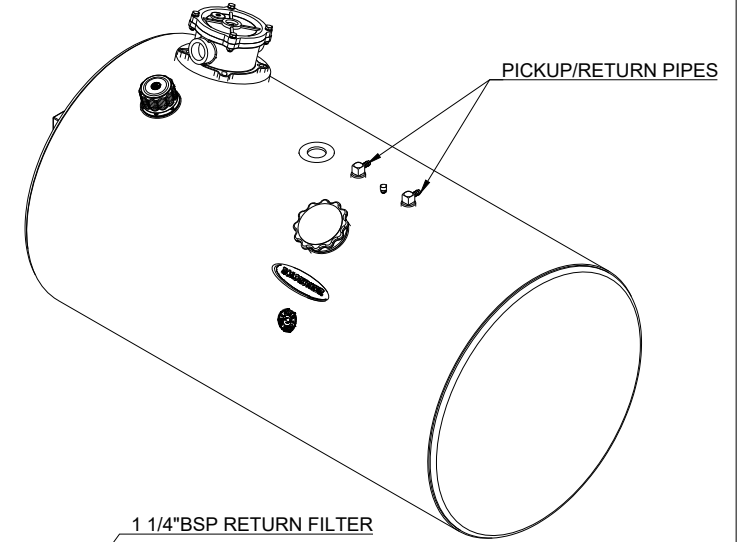
FITTING POSITIONS SHOWN ARE STANDARD. PLEASE INDICATE WITH DIMENSIONS IF REQUIRED IN A DIFFERENT LOCATION.
TANK SHOWN IS SUITABLE FOR SCREW TYPE SENDER UNIT (WITH PICKUP / RETURN PIPES SEPARATE FROM SENDER UNIT).

SCREW TYPE SENDER UNIT MOUNTING PLATE
Sender Plate is supplied blank and will need to be drilled and tapped by customer unless sender is supplied for fitment



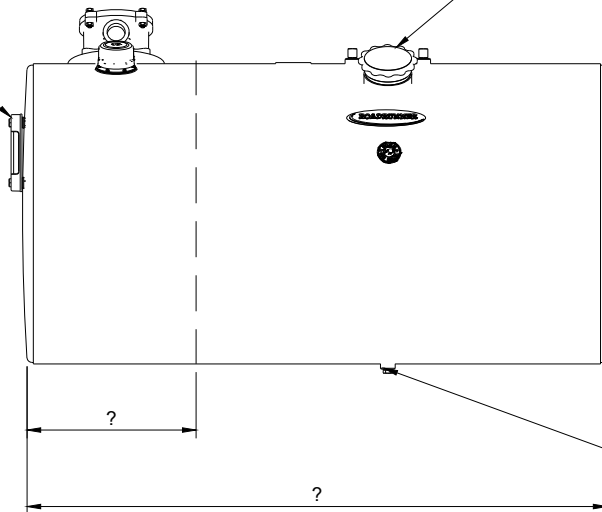
CHROME FILLER/BREATHER

BRASS FUEL TANK BREATHER



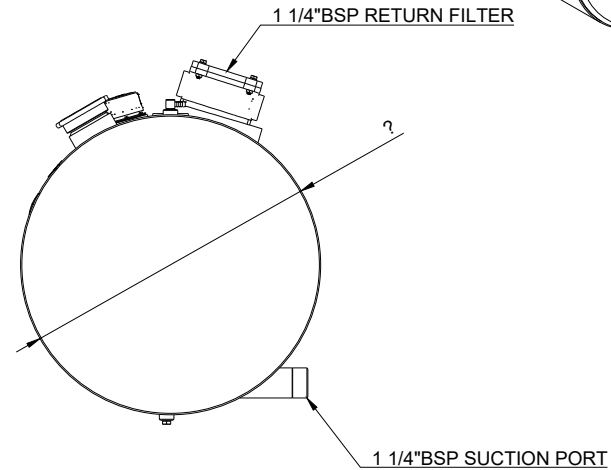
PICKUP/RETURN PIPES

LEVEL/TEMP GAUGE



NON-LOCKING ROADRUNNER FUEL CAP

3/8" BSP DRAIN AND BUNG



1 1/4" BSP RETURN FILTER

1 1/4" BSP SUCTION PORT

| TANK DIAMETER | |
|---------------|--|
| Ø 380 | |
| Ø 460 | |
| Ø 570 | |
| Ø 635 | |
| Ø 660 | |
| Ø 710 | |

THIS DRAWING AND/OR ELECTRONIC MEDIA CONTAINING THIS DRAWING REMAIN THE PROPERTY OF ROADRUNNER MANUFACTURING LTD. IT MAY NOT BE COPIED OR USED IN ANY UNORTHERRISED MANNER

ROADRUNNER
ROADRUNNER MANUFACTURING (NZ) LIMITED



CLIENT:

TITLE: Round Combo Tank - Screw Type Sender

DATE:

SCALE:
1:16

DRAWN BY:
Steve Tunncliffe

PRODUCT CODE:

JOB NUMBER

SHEET:

1/1

ISSUE: